



## E3200 Ultra-slim 2D Image Scan Engine

### ■ Scanning performance

- | Ultra-wide FOV design to improve bar code snappiness especially for long bar code
- | Global Shutter CMOS Sensor bring much perfect motion tolerance performance
- | Provides fast and accurate reading of barcodes and extraordinary motion tolerance, even on hard-to-read codes as well as those displayed on mobile phone screens, worn, dirty, poorly printed & bended bar codes.
- | High reading performance on color barcode, inverse barcode and DPM bar code.

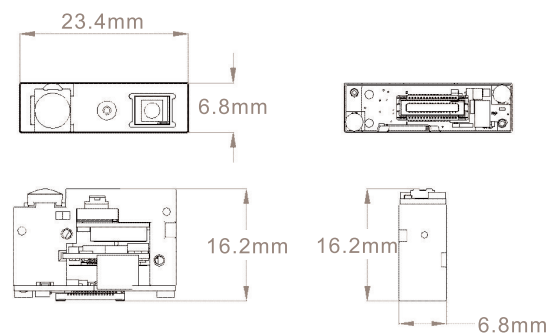
### ■ Unique Product Characteristics

- | Datalogic Decoding Technology and authorization algorithmic
- | Flexible technical support on the integration of customer product.
- | Accurate Reading Ability, only decode bar code label that's close to the center of the aiming pattern, even when many labels are crowded.

### ■ Hardware characteristics

- | Ultra slim height, only 6.8 mm. Perfect for integration into ultra-slim devices.
- | Compatible design with some competitor' s product, directly integrated instead

### ■ Product size



## Applications



Manufacture  
Industry



T&L



Government



Retail



Health Care



Mobile Payment



🏠 Suzhou MobyData Smart System Company

☎ 86-512-68234699

🌐 [www.mobydata.com](http://www.mobydata.com)

# Specifications

MECHANICAL			
Dimensions		23,5 mm x 16,2 mm x 6,8 mm	
WEIGHT		2.2g	
ELECTRICAL			
Input voltage		VCC 3.1~4.5V, VDDIO 1.7~4.5V	
Current Consumption		I/O Power current : 1mA	
		Supply voltage current : 200mA	
Interface		MIPI	
Illumination		White LED	
Aiming		Blue aimer LED	
ENVIRONMENTAL			
Temperature		Storage:-30°C to 70°C	
		Operating: -20°C to 50°C	
Humidity		5-95%	
Shock Rating		2500 G at 23 °C at 0.85 m sec	
AMBIENT LIGHT		0 lux to 100,000 lux	
PERFORMANCE			
Shutter		Global shutter	
Sensor Pixels		640 x 480	
Field of View		48° (H) x 34° (V)	
Motion Tolerance		EAN/UPC 100% labels: 1m/s @ best focus distance and with	
Symbol Contrast		25% minimum reflectance	
Min. Resolution		Linear symbologies : 3mil	
		Datamatrix : 7.5mil , PFD417 : 6.6mil	
Scan Angles		Tilt: 360°, Pitch: ± 60, Skew: ± 60	
SYMBOLOGIES			
Decode Type(2D)		2D: Aztec Code; China Han Xin Code; Data Matrix; MaxiCode; Micro QR Code; QR Code 2D Stacked: EAN/JAN Composites; GS1 DataBar Composites; GS1 DataBar Expanded Stacked; GS1 DataBar Stacked; GS1 DataBar Stacked Omnidirectional; MacroPDF; MicroPDF417; PDF417; UPC A/E Composites	
Decode Type(1D)		Auto discriminates all standard 1D codes including GS1 DataBar™ linear codes.	
Postal		Australian Post; British Post; China Post; IMB; Japanese Post; KIX Post; Korea Post; Planet Code; Postnet; Royal Mail Code (RM4SCC)	
READ RANGES			
		Typical	Guaranteed
DOF	5 mil Code 39	5.0 - 19.0 cm	6.0 - 16.0 cm
	20mil Code 39	up to 46.0 cm	8.0 - 37.0 cm
	10 mil DataMatrix	5.0 - 13.0 cm	6.0 - 11.0 cm
	13mil EAN-13	4.0 - 33.0 cm	4.5 - 27.0 cm

